

Galaxy Z Flip3 5G

SCG12

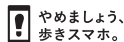
Quick Start Guide

"オンラインマニュアル (Online Manual)" (Japanese)

For detailed descriptions on various functions, scan the QR code on the right side or use the "オンラインマニュアル (Online Manual)" (Japanese) on your product with the following operations.



On the home screen, flick up → [Galaxy]
→ [取扱説明書 (Online Manual)]



やめましょう、
歩きスマホ。



あぶない!
電池への衝撃



キケン!
水ぬれ充電



モバイルリサイクルネットワーク
環境にやさしいリサイクルに貢献。

Cell phone and PHS operators collect and recycle unused telephones, batteries and battery chargers at stores bearing the ♻️ logo regardless of brand and manufacturer to protect the environment and reuse valuable resources.

October 2021, 1st Edition

Imported by: SAMSUNG ELECTRONICS JAPAN Co., Ltd.

Manufactured by: Samsung Electronics Co., Ltd.

List of Packaged Items

- Main unit (Protective film (sample) attached)
- SIM card removal tool (sample)
- USB cable (CtoC) (sample)
- クイックスタートガイド (Quick Start Guide) (Japanese)
- ご利用にあたっての注意事項 (Notes on Usage) (Japanese)
- データ移行用試供品取扱説明書 (Sample for data transfer Manual) (Japanese)

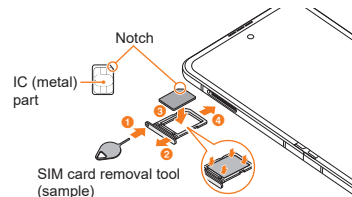


memo

- ◎ Please use a specified charging equipment (sold separately).
- ◎ The battery is built into the product.
- ◎ Illustrations used in this manual are just images for explanations. They may be different from actual ones.
- ◎ Do not fold the product in the reverse direction. That may cause the product to get damaged.
- ◎ When folding the product, do not place any objects, such as cards, coins, or keys, on the main display. The display may be damaged.
- ◎ The protective film (sample) attached to the main display is for the product only. For protecting the main display, do not remove the protective film (sample). Doing so might cause the product to break or damage.
- ◎ The product is not dustproof. Do not put fine particles such as sand into the device.

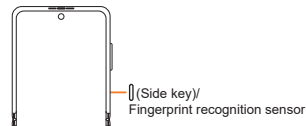
- For the latest information, please refer to the "取扱説明書 詳細版 (Full Instruction Manual)" (Japanese), available on the homepage of the contracted carrier.
- For the latest information of the product, refer to the following website.
<https://www.galaxymobile.jp/> (Japanese)
- The contents described in this manual may be different due to the version upgrade of the software of this product or the change / end of service. And the content of this manual is subject to change without notice.

Attaching SIM Card

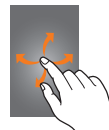


Turning the Power On

- 1 Press and hold for over 2 seconds



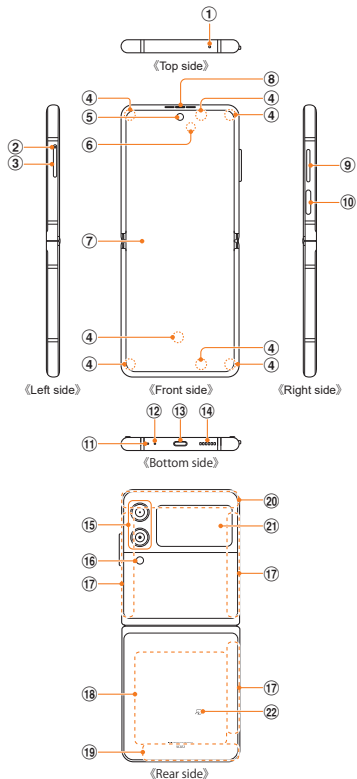
- 2 Unlock the screen



memo

- ◎ Press and hold [(Side key)/Fingerprint recognition sensor and lower side of Volume key simultaneously for over 7 seconds, when the power cannot be turned off in the usual way or the screen freezes.

Names of Parts



- 1 Mouthpiece/Microphone (upper)^{*1}
- 2 Tray eject hole
- 3 SIM card tray
- 4 Magnet part^{*2,3}
- 5 Front camera^{*4}
- 6 Proximity/Light sensor^{*5}
- 7 Main display (touch panel)^{*4,6,7,8}
- 8 Receiver/Speaker^{*1,9}
- 9 Volume key
- 10 ||(Side key)/Fingerprint recognition sensor
- 11 Vent hole^{*1}
- 12 Mouthpiece/Microphone (lower)^{*1}
- 13 USB Type-C™ connection terminal (external connection terminal)
- 14 Speaker^{*1}
- 15 Rear camera^{*4}
- 16 Flash/Light
- 17 5G/4G antenna part^{*10}
- 18 Wireless charging position
- 19 4G antenna part^{*10}
- 20 5G/4G/GPS/Wi-Fi®/Bluetooth® antenna part^{*10}
- 21 Cover display (touch panel)^{*4}
- 22 ↷mark

- *1 Be careful to not cover over with your fingers, etc., while relevant functions are being used. In addition, do not insert the SIM card removal tool (sample) into the product since this might cause damage.
- *2 The product contains magnets, which may affect medical devices, such as pacemakers or implantable cardioverter defibrillators. If you are using any of these medical devices, keep your device a safe distance from them and consult with your physician before you use the device.
- *3 Keep a safe distance between your device and objects that are affected by magnets. Objects such as credit cards, passbooks, access cards, boarding passes, or parking passes may be damaged or disabled by the magnets in the device.
- *4 Do not press with a hard or sharp object, such as a pen or your fingernail. Doing so could result in scratching or puncturing them.
- *5 Do not cover with the sticker, etc. Functions may not work correctly.
- *6 A protective film (sample) is already attached to the display.
- *7 The product's main display has a crease in the center of it, but this is the product's normal state.
- *8 Do not attach adhesives, such as films or stickers, to the main display.
- *9 The product uses it for both a receiver and a speaker.
- *10 The antenna is built into the main unit. Covering around the antenna by hand may affect calling quality/communication quality.